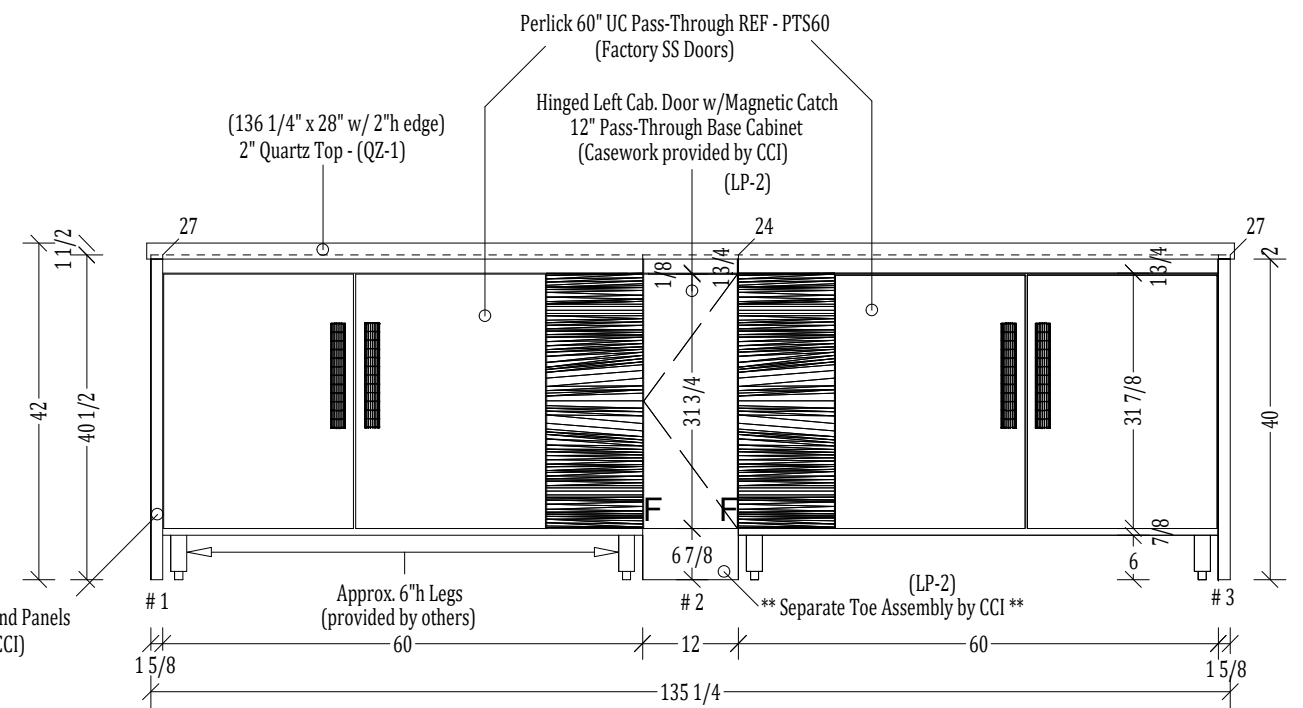
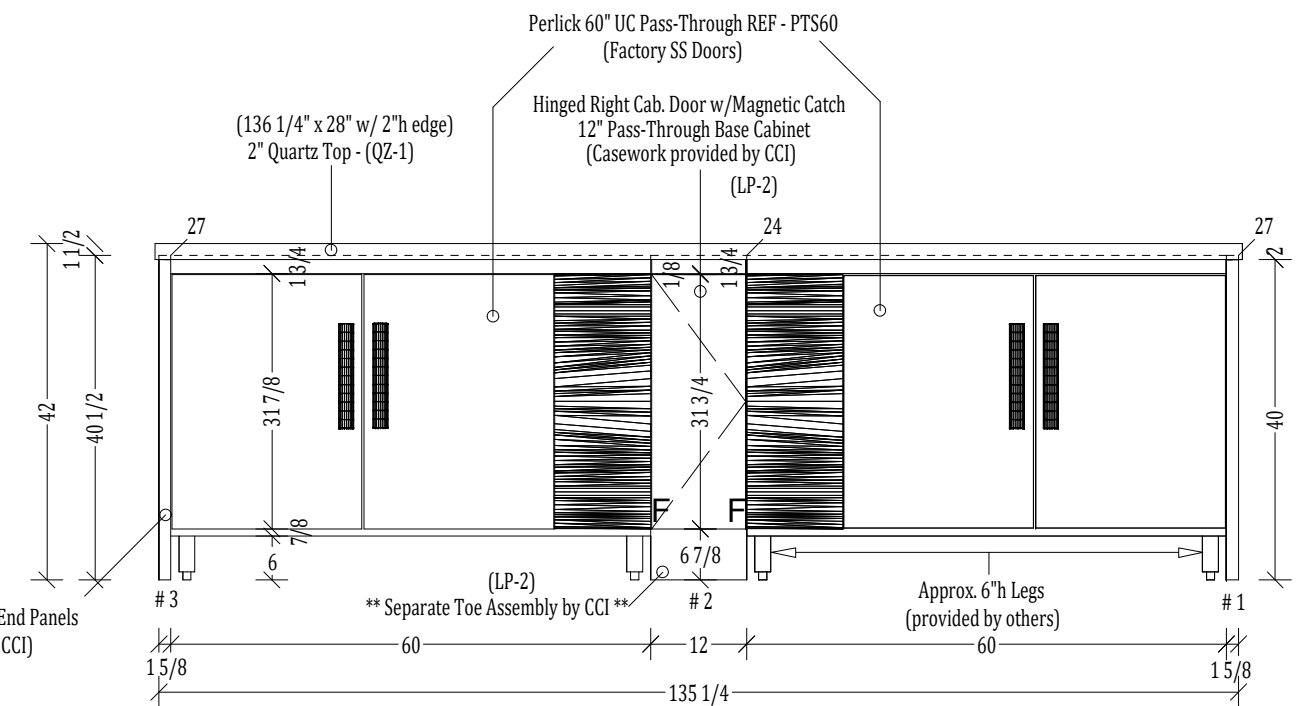


(WxHxD)
1 1/2" x 40 1/2" x 27" Finished End Panels
(Casework provided by CCI)
(LP-2)



Elevation
Scale: 1/2" = 1'

(WxHxD)
1 1/2" x 40 1/2" x 27" Finished End Panels
(Casework provided by CCI)
(LP-2)



Elevation
Scale: 1/2" = 1'

Dimensions are per the customers provided drawings. All cabinetry will be manufactured as indicated in the above drawings. Any changes will need to be addressed prior to fabrication. Changes made after production start will need to be on a change order.

Approved by: _____

consolidatedcasework
Architectural Woodwork
708 Marks Rd. Unit 306
Valley City, OH 44280
Phone: (330) 225-1168
Fax: (330) 294-1111

Client: HMS Host

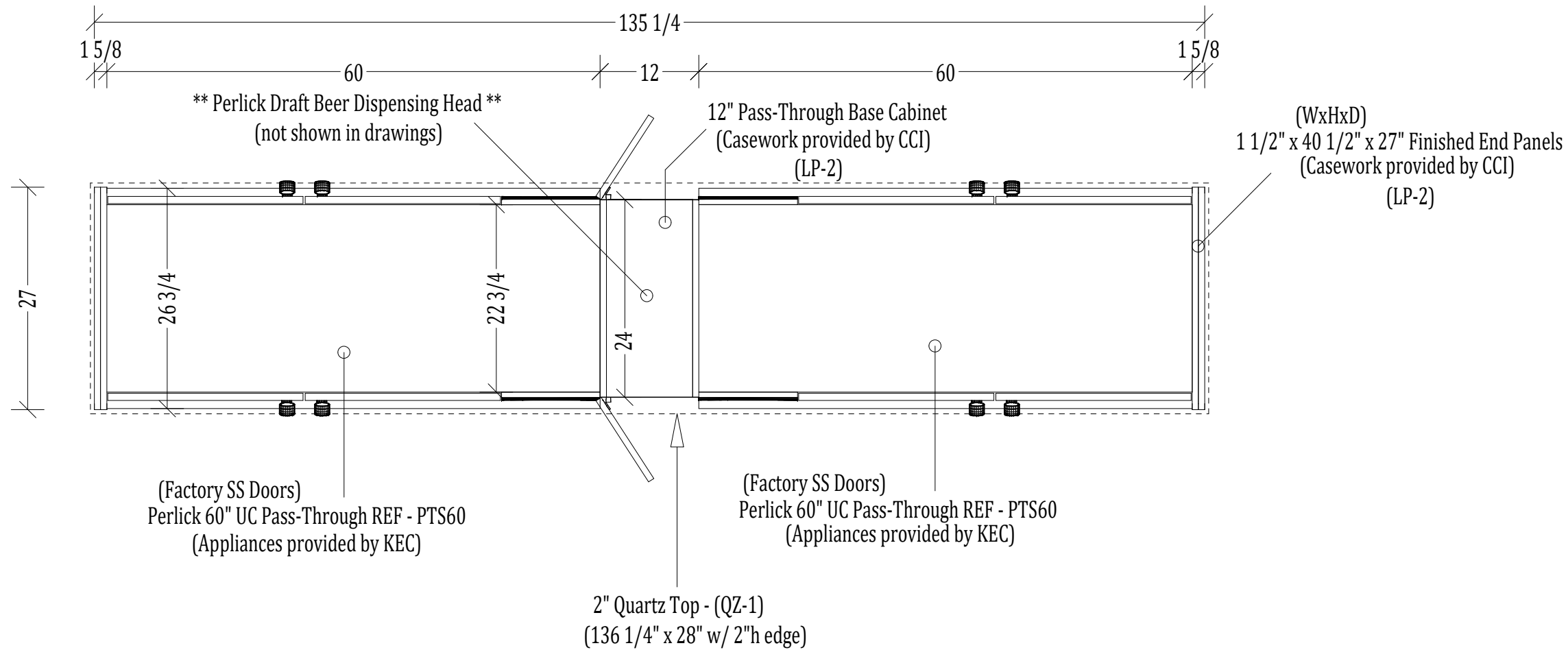
Description: Pei Wei - Tampa

Room: Bar Island

Date: 07/25/16

Scale - 1/2" = 1'

Sheet 1 of 9



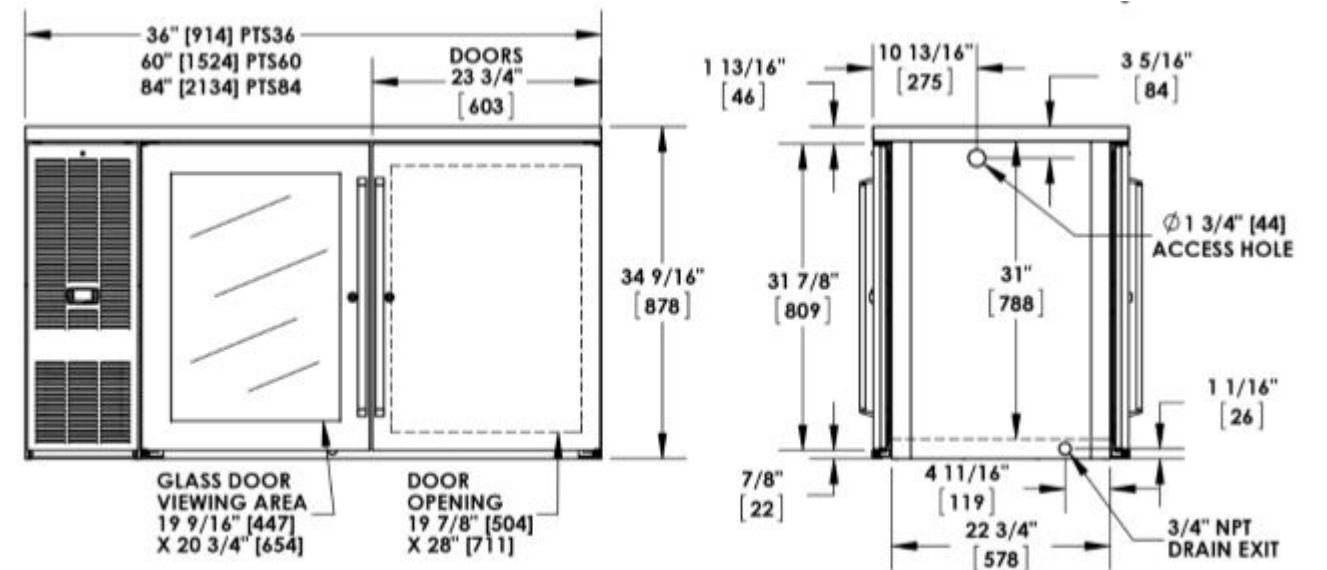
Casework Construction Details:

- 3/4" Marine Grade Plywood laminated (LP-2) @ all interior & exterior surfaces
- Blum concealed hinges w/magnetic catch
- 6 3/8" h Separate TK assembly

** (LP-2) = Formica - Black Matte #909-58

** (QZ-1) = Caesarstone - Raven #4120 w/ 2" h eased edge (Classico Collection)

PTS60 - Pass-Through UC REF



Dimensions are per the customers provided drawings. All cabinetry will be manufactured as indicated in the above drawings. Any changes will need to be addressed prior to fabrication. Changes made after production start will need to be on a change order.

Approved by: _____

consolidatedcasework
 Architectural Woodwork
 708 Marks Rd. Unit 306
 Valley City, OH 44280
 Phone: (330) 225-1168
 Fax: (330) 294-1111

Client: HMS Host

Description: Pei Wei - Tampa

Room: Bar Island

Date: 07/25/16

Scale - 3/4" = 1'

Sheet 2 of 9